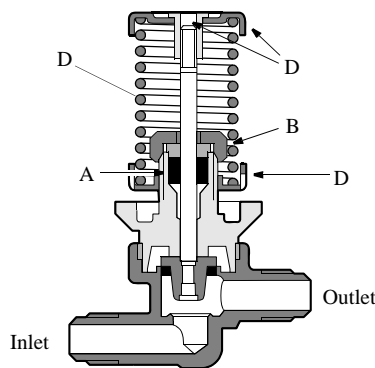
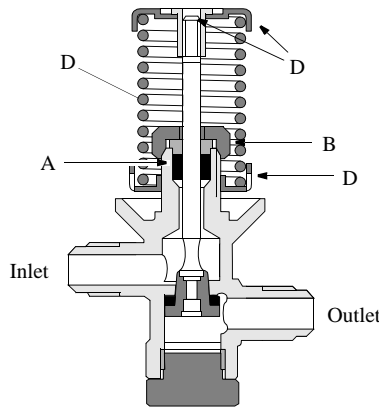


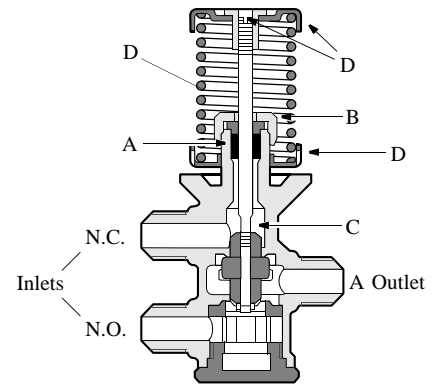
Repair Parts for 1/2 in. Flare Valves for Use with V-3766, V-3966, V-4332, VB-3766, VB-3966, VB-4332, AV-8050, AV-8051, and AV-8052 (Flare Valve Assemblies)



**Repair Parts,
V-3766, Normally Open
Push-Down-to-Close**



**Repair Parts,
V-3966, Normally Closed
Push-Down-to-Open**



**Repair Parts,
V-4332
Three-Way Mixing**

Description

The available service parts listed in the Selection Chart can extend the service life of the V-3766, V-3966, V-4332, VB-3766, VB-3966, VB-4332, AV-8050, AV-8051, and AV-8052 Flare Valve Assemblies and in many cases return the valve to near original operating performance.

Selection Chart

Code Number	Callout	Description		
V-9999-608	A	Ring Pack Packing Kits		
V-9999-610			Single pack	
V-9999-630			10 pack (contains enough material to repack 10 valves) 50 pack (contains U-cups and O-rings only to repack 50 valves)	
V-3752-646	B	Gland Nut		
	C	Stem and Disc Assemblies¹		
V-4332-615			Valve Size, in.	Maximum Cv
V-4332-616			1/2 (V-4332, VB-4332)	1.2
	D	Spring Kits²	Valve Size, in.	Range, psig
V-3754-6009			1/2	9 to 13 (V-3966 only)
V-4332-6001			1/2	4 to 8 (V-4332 only)
V-3752-6022			1/2	9 to 13 (V-4332 only)
V-3754-6010			1/2	3 to 6 (V-3766 only)

1. Assembly includes valve stem, upper and lower modulating plug, lock pins, disc and swivel, packings, and lower O-ring.
2. Spring kit includes spring, upper and lower spring seat, stem extension and lock screw, and instructions.



WARNING

This product is made of copper alloy, which contains lead. The product is therefore not to be used on drinking water.



WARNING

This product can expose you to chemicals including lead, which is known to the State of California to cause cancer, birth defects, or other reproductive harm. For more information, go to www.P65Warnings.ca.gov.

WARNING: BRASS MAY CONTAIN LEAD

To fulfill our obligations towards Article 33, in accordance to the European REACH Regulation No 1907/2006 EC, we hereby inform you that this article contains the following Substances of Very High Concern mentioned on the Candidate list:

- Lead