

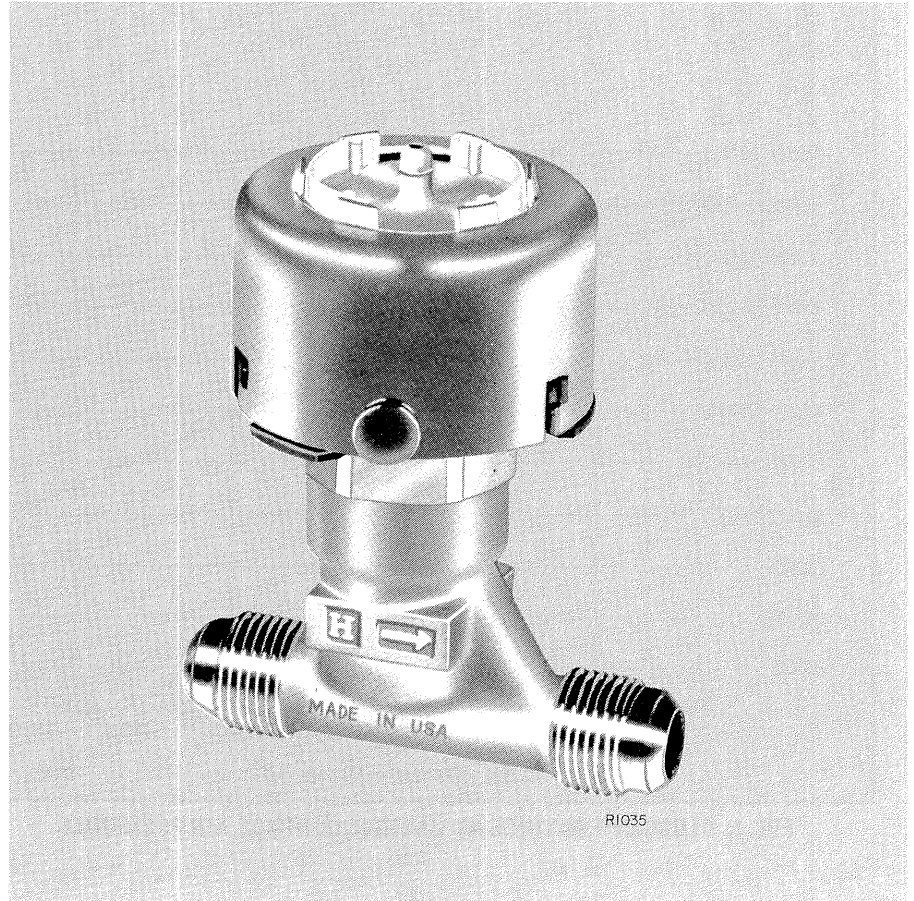
MODEL NUMBER VP527A

General

This normally open, single-seated, high pressure valve provides proportional control of hot and/or cold water in unit air conditioners and fan coil units.

Features

- Small size permits installation where space is limited.
- Forged brass, straight-through body with end connections threaded for 45 degree SAE flare fitting nuts.
- Spring-loaded, self-adjusting, Buna-N "V"-ring packing is replaceable without shutting system down.
- High temperature rolling diaphragm actuator (aluminum cover) and high temperature plastic diaphragm retaining cup with integral air connection for 1/4 in. (6 mm) OD plastic tubing.
- Integral seat and brass plug with removable composition disc provides equal percentage flow.
- Stainless steel stem, 3/16 in. (5 mm) diameter.



Specifications

MODEL

VP527A: Normally open, high pressure water valve.

BODY SIZE

3/8 in. nominal, 1/2 O.D. copper tubing.

CAPACITY INDEX

.63, 1.0 or 1.6 Cv.

BODY PRESSURE RATING

250 psi (1720 kPa) maximum.

CONTROLLED MEDIUM TEMPERATURE

35 to 250 F (2 to 121 C).

CLOSE-OFF RATINGS

Refer to Figure 1.

MAXIMUM SAFE AIR PRESSURE

30 psi (205 kPa).

OPERATING RANGE

2 to 5 or 3 to 10 psi (15 to 35 or 20 to 70 kPa).

MAXIMUM DIAPHRAGM TEMPERATURE

230 F (110 C).

DIMENSIONS

Refer to Figure 2.

FITTINGS (must be ordered separately)

Standard flare nuts. Order from your usual supplier or from either:

Parker-Hannifin Corp.  
 Brass Products Division  
 300 Parker Drive  
 Otsego, MI 49078  
 (Specify Parker No. 41-FS 45 degree SAE short-length flare nut, OD tubing size and quantity required.)

or

Imperial-Eastman Corp.  
 6300 W. Howard St.  
 Chicago, IL 60648  
 (Specify Imperial No. 41-FS 45 degree  
 SAE short-length flare nut, OD tubing  
 size and quantity required.)

**ACCESSORIES**  
 Position Indicator - 14001101-001.  
 Vandalism Shield: 14003648-001 (Cover  
 assembly with metal 1/8-NPT air connec-  
 tions).

**WHEN ORDERING, SPECIFY**

1. Model Number
2. Accessories

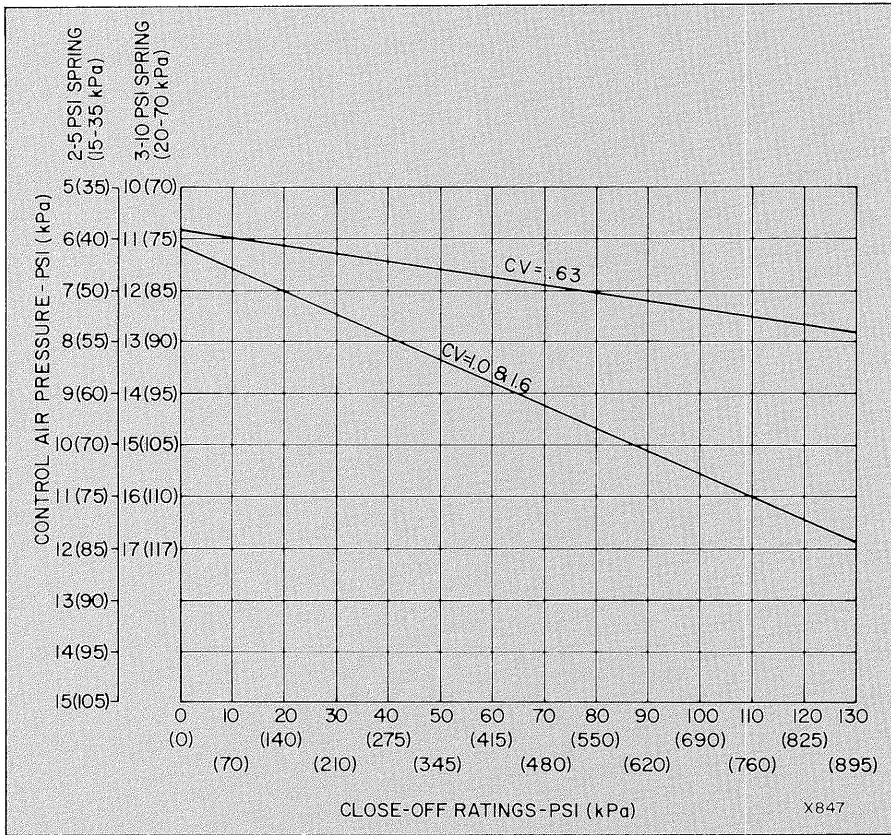


FIG. 1. CLOSE-OFF RATINGS AT VARIOUS CONTROL AIR PRESSURES

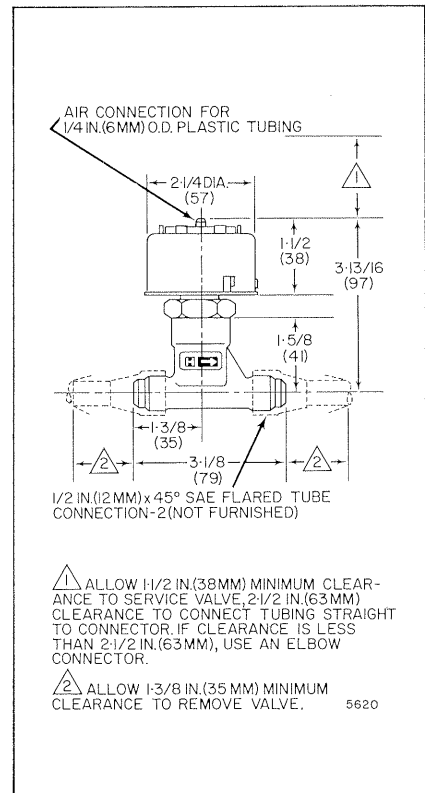


FIG. 2. VP527A DIMENSIONS IN INCHES (MILLIMETERS)

**Typical Operation**

An increase in control air pressure moves the valve stem toward the closed position, modulating flow through the valve.

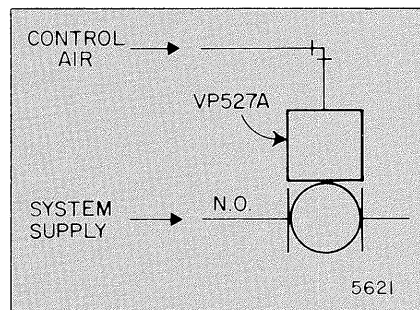


FIG. 3. VP527A TYPICAL OPERATION

By using this Honeywell literature, you agree that Honeywell will have no liability for any damages arising out of your use or modification to, the literature. You will defend and indemnify Honeywell, its affiliates and subsidiaries, from and against any liability, cost, or damages, including attorneys' fees, arising out of, or resulting from, any modification to the literature by you.