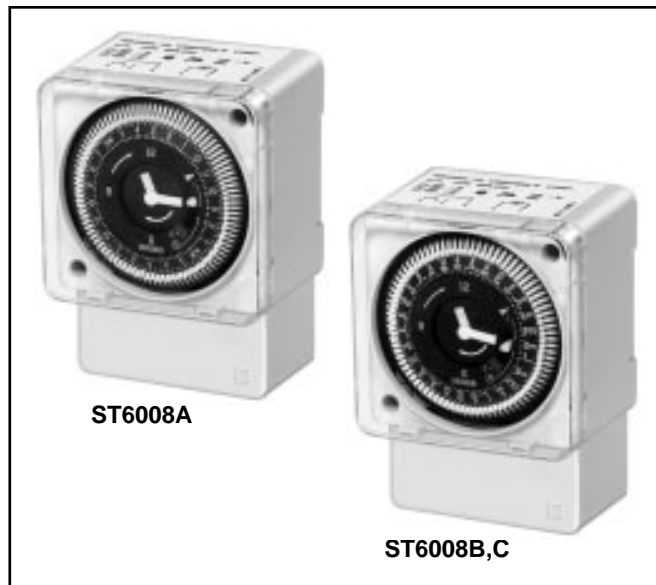


ST6008A,B,C Energy Management Timers

24-HOUR OR 7-DAY TIME SWITCHES

SPECIFICATION DATA



FEATURES

- Universal application with 24-hour or 7-day programming.
- UL and CSA recognized components.
- Battery backup (quartz drive).
- Screw wiring terminals.
- Three-way override.
- Captive trippers.

GENERAL

The ST6008 family of Programmable Timers are compact synchronous and quartz time controls that provide 24-hour or 7-day time-based switching. Heavy duty 21A contacts can switch low or line voltage loads.

Minimum on-off times are 15 minutes for the 24-hour timer and two hours for the 7-day timer.

APPLICATION

Time-based control of lighting, ventilation, heating and cooling or other electrical loads in commercial and industrial applications. The ST6008 time switches are available with 24-hour or 7-day program dial and a single pole double pole switch.

The ST6008 series is intended for surface or DIN rail mounting. The control is completely enclosed in a plastic housing and includes a terminal cover and subbase for installation and hard wiring.



SPECIFICATIONS

IMPORTANT

The specifications given in this publication do not include normal manufacturing tolerances; therefore, an individual unit may not exactly match the listed specifications. Also, this product is tested and calibrated under closely controlled conditions, and some minor differences in performance can be expected if those conditions are changed.

Models:

- ST6008A1006: 24-hour time-based switching with synchronous drive.
- ST6008B1005: 7-day time-based switching with synchronous drive.
- ST6008C1004: 7-day time-based switching with quartz drive and battery backup.

| Model | Type | Input Voltage | Relay Output | Battery Reserve |
|-------------|---------------------|----------------|--------------|-----------------|
| ST6008A1006 | 24-hour synchronous | 120V, 60 Hz | 1 spdt | N/A |
| ST6008B1005 | 7-day synchronous | 120V, 50 Hz | 1 spdt | N/A |
| ST6008C1004 | 7-day quartz | 120V, 50/60 Hz | 1 spdt | 7-day |

Supply Voltage:

Synchronous: 120V, 60 Hz.
 Quartz: 120V, 50/60 Hz.

Switch Type:

spdt.

Switch Rating:

21A, 250V resistive.
 1350W tungsten.
 1 hp at 120V.
 2 hp at 240V.
 16 FLA, 96 LRA, 120V inductive.
 12 FLA, 72 LRA, 240V inductive.

Power Consumption:

0.5 VA.

Ambient Temperature Range:

-40°F (4°C) to 180°F (82°C), synchronous units.
 -14°F (26°C) to 131°F (55°C), quartz units.

Reserve Carryover:

150 hours for quartz units.

Dimensions:

See Fig. 1.

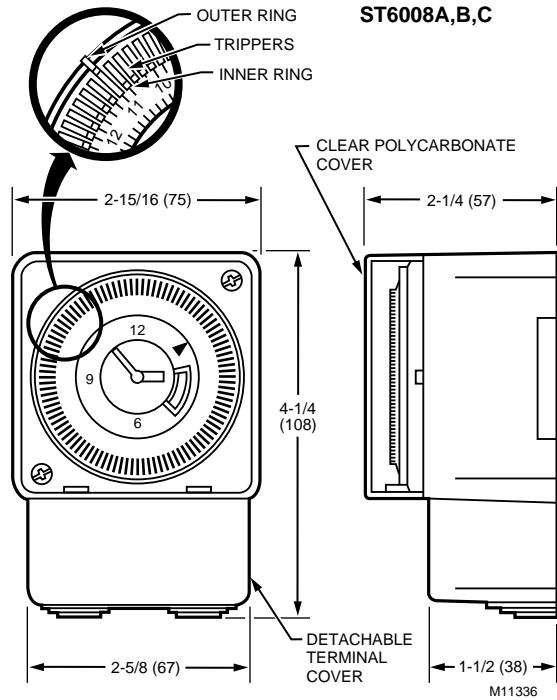


Fig. 1. ST6008A,B,C dimensions in in. (mm).

PROGRAMMING

ST6008B,C 7-day Timer

The weekly program dial displays the seven days of the week and the AM and PM indications for each day. The 24-hour dial is marked in two-hour and AM and PM indications.

Set the Time Switch:

NOTE: Each tripper represents two hours.

- ❶ Push the desired number of trippers to the outer ring position for the entire period the load is on. This places the switch in the on position.
- ❷ Push the desired number of trippers to the inner ring position to turn off the load. This places the switch in the off position. See Fig. 1.

Set the Time:

NOTE: Rotate the outer dial clockwise by turning the minute hand.

- ❶ Turn the minute hand clockwise until the day and time on the outer dial are aligned with the triangle marker (2:00 position) on the inner dial.
Example: To set the dial to Monday, 10:30 AM: Turn the minute hand clockwise to rotate the outer dial until Monday 10:30 AM is aligned with the triangle on the inner dial. The hour and the minute hand show 10:30 AM.

ST6008A 24-hour Timer

The 24-hour dial is marked in quarter-hour and AM and PM indications.

Set the Time Switch:

NOTE: Each tripper represents 15 minutes.

- ❶ Push the desired number of trippers to the outer ring position for the entire period the load is on. This places the switch in the on position.
- ❷ Push the desired number of trippers to the inner ring position to turn off the load. This places the switch in the off position. See Fig. 1.

Set the Time:

NOTE: Rotate the outer dial clockwise by turning the minute hand.

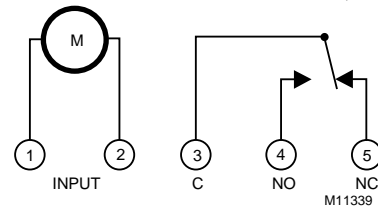
- ❶ Turn the minute hand clockwise until the time on the outer dial is aligned with the triangle marker (2:00 position) on the inner dial.
Example: To set the dial to 10:30 AM: Turn the minute hand clockwise to rotate the outer dial until 10:30 AM is aligned with the triangle on the inner dial. The hour and the minute hand show 10:30 AM.

Manual Override

All ST6008 units have an optional three-way manual override.

TERMINAL DESIGNATIONS

OFF POSITION WITH TRIPPERS PUSHED IN
(TRIPPERS PUSHED OUT WILL CLOSE
CONTACTS 3 AND 4 AND TURN LOAD ON)



Home and Building Control

Honeywell Inc.
Honeywell Plaza
P.O. Box 524
Minneapolis MN 55408-0524

Honeywell Latin American Division

Miami Lakes Headquarters
14505 Commerce Way Suite 500
Miami Lakes FL 33016

Home and Building Control

Honeywell Limited-Honeywell Limitée
155 Gordon Baker Road
North York, Ontario
M2H 2C9

Honeywell Europe S.A.

3 Avenue du Bourget
B-1140 Brussels Belgium

Honeywell Asia Pacific Inc.

Room 3213-3225
Sun Hung Kai Centre
No. 30 Harbour Road
Wanchai
Hong Kong

Honeywell

Helping You Control Your World®

