

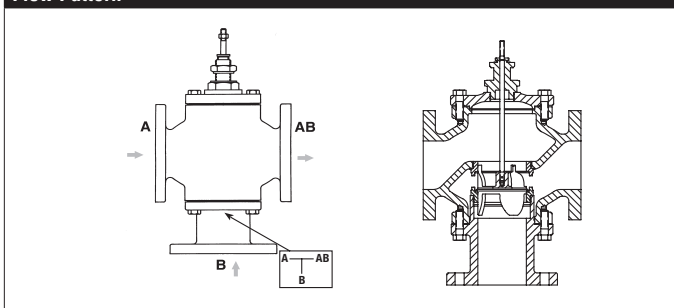
G780, 3-Way, Mixing Flanged Globe Valve



Technical Data

Service	chilled, hot water, up to 60% glycol
Flow Characteristic	linear
Controllable Flow Range	stem up - open B to AB
Size [mm]	3" [80]
End Fitting	125 lb flanged
Body	cast iron - ASTM A126 Class B (ASME B16.1)
Stem	stainless steel
Stem Packing	NLP EPDM (no lip packing)
Seat	316 stainless steel
Plug	bronze
Body Pressure Rating [psi]	ANSI 125
ANSI Class	ANSI 125 (up to 175 psi below 150°F)
Number of Bolt Holes	4
Max Inlet Pressure (Water)	150 psi (1034 kPa) @ 250°F
Media Temperature Range (Water)	32°F to 350°F [0°C to 176°C]
Max Differential Pressure (Water)	25 psi (172 kPa)
Rangeability	50:1
Cv	85
Weight	80.9 lb [36.7 kg]
Leakage	ANSI Class III
Servicing	Repack/Rebuild kits available

Flow Pattern



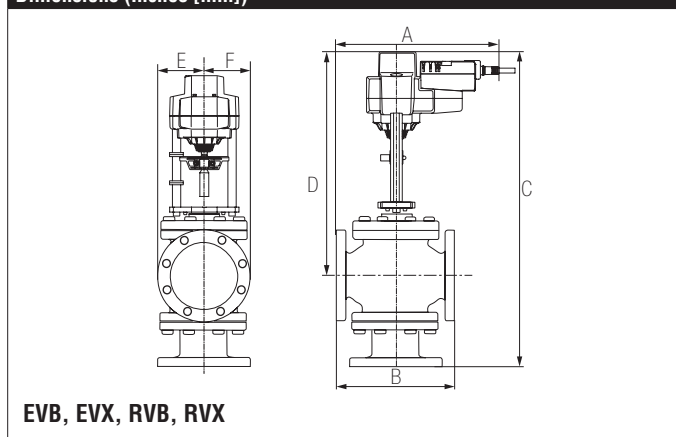
Application

This valve is typically used in large Air Handling Units (AHU) on heating or cooling coils. This valve is suitable for use in a hydronic system with variable flow.

Suitable Actuators

	Non-Spring	Spring	Electronic Fail-Safe
G780	EVB(X), RVB(X)	AFB(X), 2*AFB(X)	AVKB(X), 2*GKB(X)

Dimensions (Inches [mm])



EVB, EVX, RVB, RVX

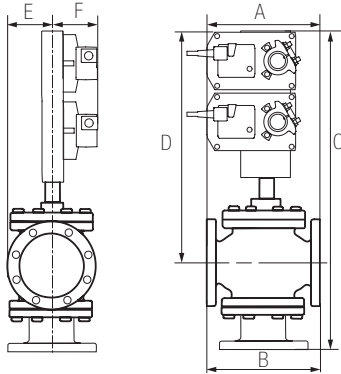
A	B	C	D	E	F
12.2" [310]	10" [254]	27" [686]	19" [483]	3.94" [100]	

Piping

The valves should be mounted in a weather-protected area in a location that is within the ambient limits of the actuator. Allow sufficient room for valve with actuator and for service. The preferred mounting position of the valve is with the valve stem vertical above the valve body, for maximum life. However, the assemblies can be mounted with valve stem vertical above the valve or up to 45 degrees in relation to the horizontal pipe. The actuators should never be mounted underneath the valve, as condensation can build up and result in a failure of the actuators. Do not reverse flow direction.

G780, 3-Way, Mixing Flanged Globe Valve

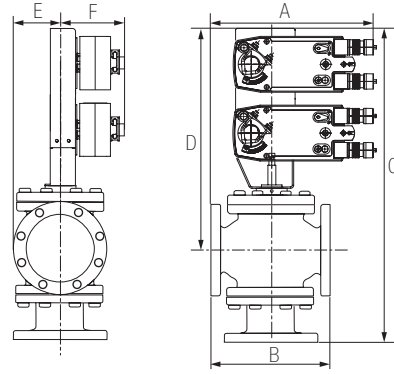
Dimensions (Inches [mm])



2*GMB, 2*GMX, 2*GKB, 2*GKX

A	B	C	D	E	F
12.2" [310]	10" [254]	30.53" [775]	22.5" [572]	3.75" [95]	5.25" [135]

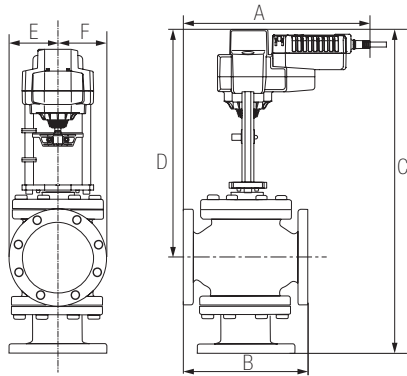
Dimensions (Inches [mm])



2*AFB, 2*AFX

A	B	C	D	E	F
12.2" [310]	10" [254]	30.53" [775]	22.5" [572]	3.75" [95]	5.25" [135]

Dimensions (Inches [mm])

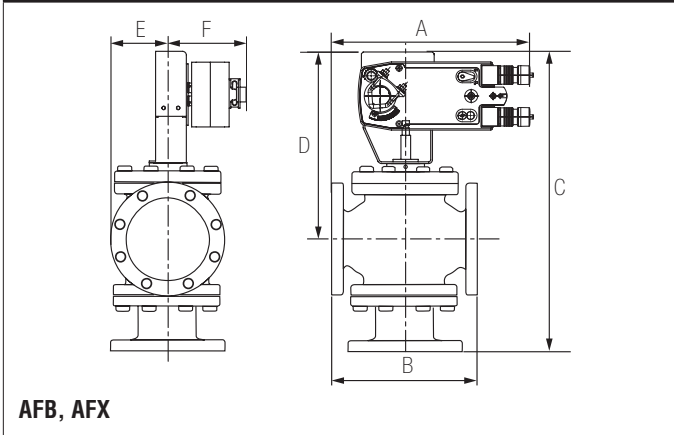


AVKB, AVKX

A	B	C	D	E	F
13" [332]	10" [254]	27" [686]	19" [483]	3.94" [100]	

G780, 3-Way, Mixing Flanged Globe Valve

Dimensions (Inches [mm])



AFB, AFX

A	B	C	D	E	F
12.2" [310]	10" [254]	25.6" [650]	17.5" [445]	3.75" [95]	5.25" [135]