

# F6100HDU, 4", 2-Way Butterfly Valve

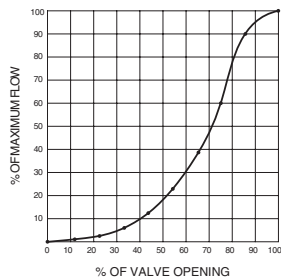
Resilient Seat, 304 Stainless Steel Disc



### Technical Data

Service	chilled, hot water, up to 60% glycol
Flow Characteristic	modified equal percentage
Controllable Flow Range	90° rotation
Size [mm]	4" [100]
End Fitting	for use with ansi class 125/150 flanges
Body	ductile iron ASTM A536
Body Finish	epoxy powder coated
Stem Packing	EPDM (lubricated)
Seat	EPDM
Shaft	416 stainless steel
Bushings	RPTFE
Disc	304 stainless steel
Body Pressure Rating [psi]	ANSI 125, standard class B
Number of Bolt Holes	8
Lug Threads	5/8-11 UNC
Media Temperature Range (Water)	-22°F to 250°F [-30°C to 120°C]
Close-Off Pressure	50 psi
Rangeability	10:1 (for 30° to 70° range)
Maximum Velocity	12 FPS
Cv	600
Weight	12.8 lb [5.8 kg]
Leakage	0%
Servicing	maintenance free

### Flow Pattern



### Application

Valve is designed for use in ANSI flanged piping systems to meet the needs of bi-directional high flow HVAC hydronic applications with 0% leakage. Typical applications include cooling tower bypass, primary flow change-over systems, and large air handler coil control.

### Jobsite Note

Valve assembly should be stored in a weather protected area prior to installation. Reference the butterfly valve installation instruction for additional information.

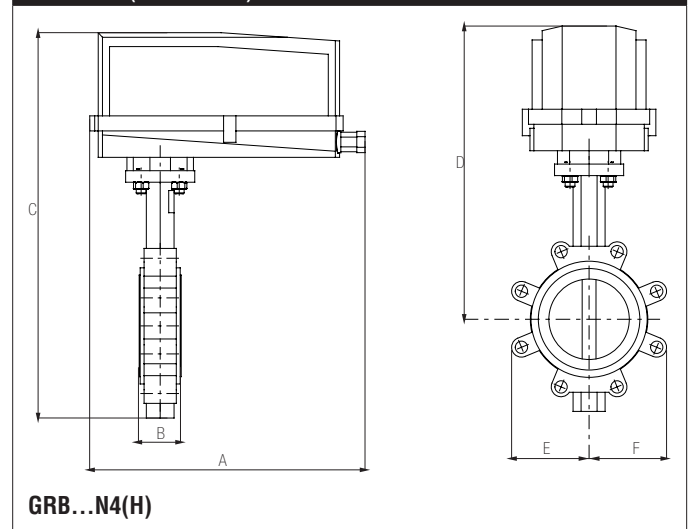
### Flow/Cv

Cv 10°	Cv 20°	Cv 30°	Cv 40°	Cv 50°	Cv 60°	Cv 70°	Cv 80°	Cv 90°
0.3	17	36	78	139	230	364	546	600

### Suitable Actuators

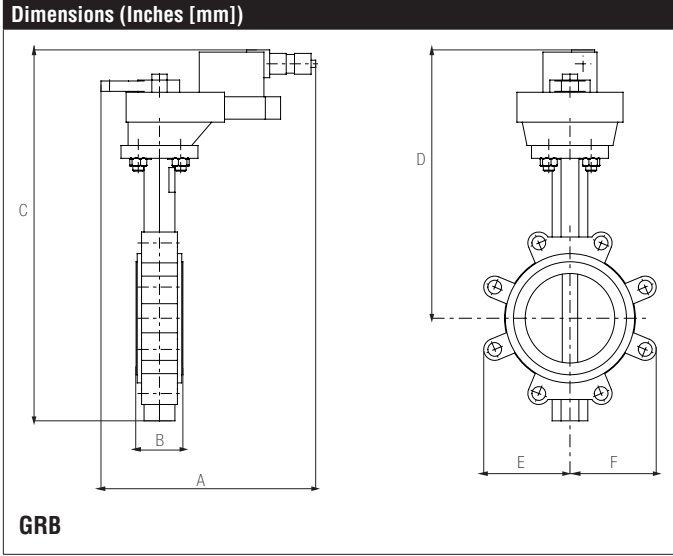
	Non-Spring
F6100HDU	GRB(X)

### Dimensions (Inches [mm])



A	B	C	D	E	F
14.1" [358]	2.10" [53.3]	18.9" [480]	15.00" [381]	4" [101.6]	

Date created, 12/06/2017 - Subject to change. © Belimo Aircontrols (USA), Inc.



A	B	C	D	E	F
15.51" [394]	2.10" [53.3]	15.63" [397]	11.81" [300]	4" [101.6]	