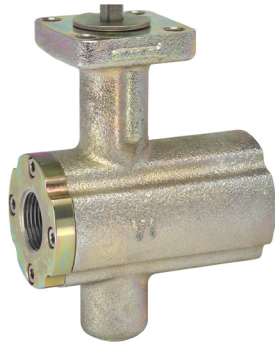


# B2200VB-077 Technical Data Sheet

Hardened Chrome Plated Carbon Steel Body, Stainless Steel Ball and Stem



## Application

Water-side control of air handling apparatus in ventilation and air-conditioning system.  
 Water/Steam control in heating system.  
 300:1 rangeability.  
 The dimensions and drilling of end flanges conform to the American cast iron flange standard, Class 150 (ANSI B16.1).

## Product Features

Fast quarter turn open or closed operation, stainless-steel ball and stem, positive isolation, two-piece body construction

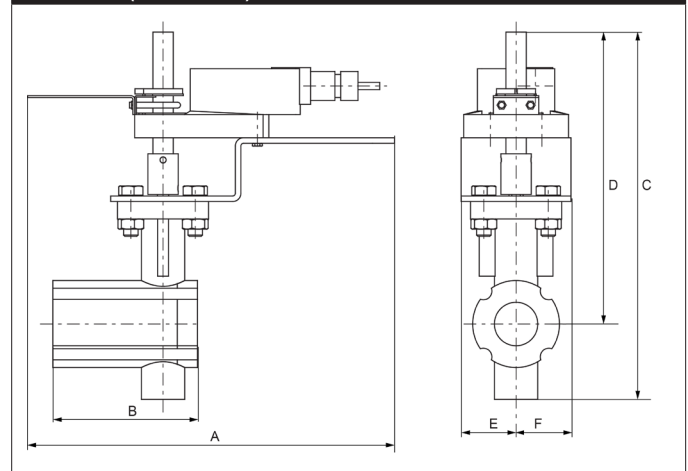
### Suitable Actuators

	Non-Spring	Spring	Electronic fail-safe
B2200VB-077	SY1, AMB(X), PRB(X)	AF	PKRB(X)

### Technical Data

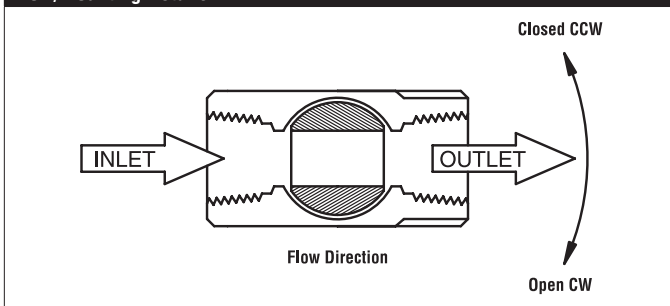
Fluid	chilled or hot water, up to 60% glycol, steam
Flow characteristic	equal percentage
Controllable flow range	75°
Valve Size [mm]	2" [50]
Pipe connection	NPT female ends
Housing	WCC grade carbon steel
Ball	stainless steel
Stem	stainless steel
Stem seal	PTFE V-ring
Seat	PTFE
Body Pressure Rating	ANSI Class 300
ANSI Class	300
Maximum Inlet Pressure (Steam)	200 psi
Max Differential Pressure (Steam)	100 psi
Maximum differential pressure (water)	150 psi
Close-off pressure $\Delta$ ps	150 psi
Close-Off Pressure (Steam)	200 psi
Rangeability Sv	300:1
Cv	77
Weight	19.18 lb [8.7 kg]
Fluid Temp Range (water)	-22...380°F [-30...193°C]
Fluid Temp Range (steam)	-22...380°F [-30...193°C]
Leakage rate	ANSI Class IV

### Dimensions (Inches [mm])

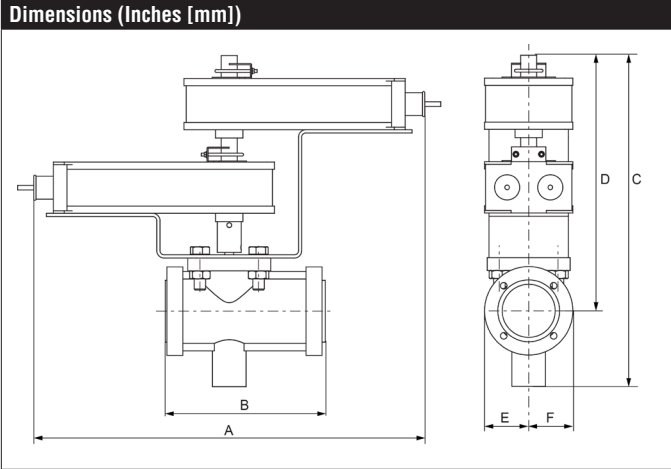


A	B	C	D	E	F
12.8" [325]	7.0" [178]	13.5" [342]	10.5" [267]	1.8" [46]	

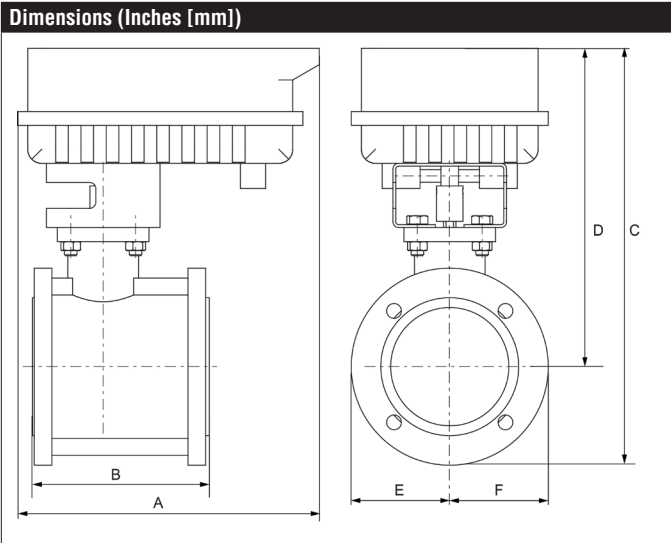
### Flow/Mounting Details



Date created, 04/16/2020 - Subject to change. © Belimo Aircontrols (USA), Inc.



A	B	C	D	E	F
11.4" [289]	7.0" [178]	14.5" [368]	11.1" [283]	1.9" [48]	



A	B	C	D	E	F
11.4" [289]	7.0" [178]	15.0" [380]	12.6" [321]	3.9" [100]	